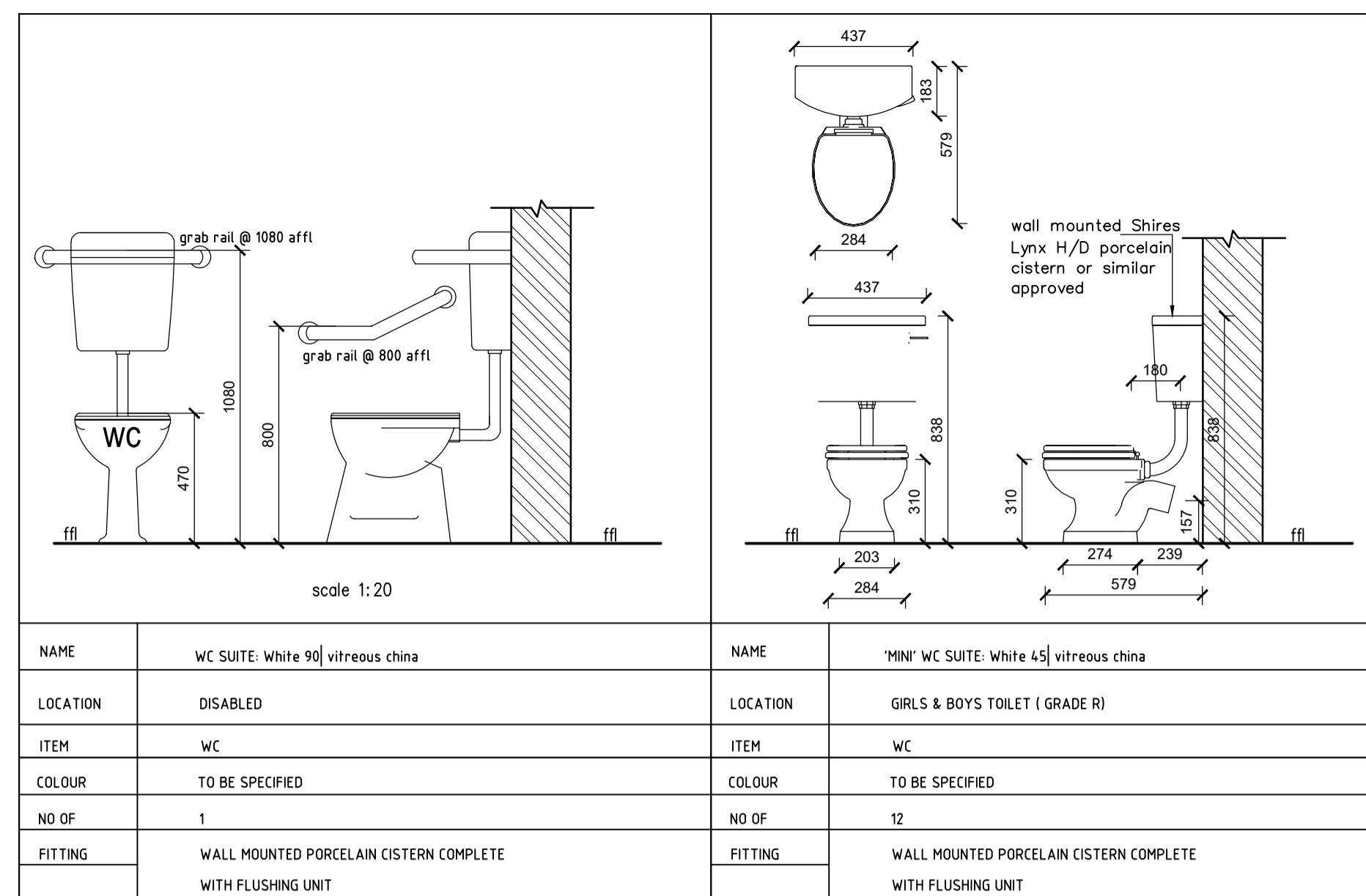
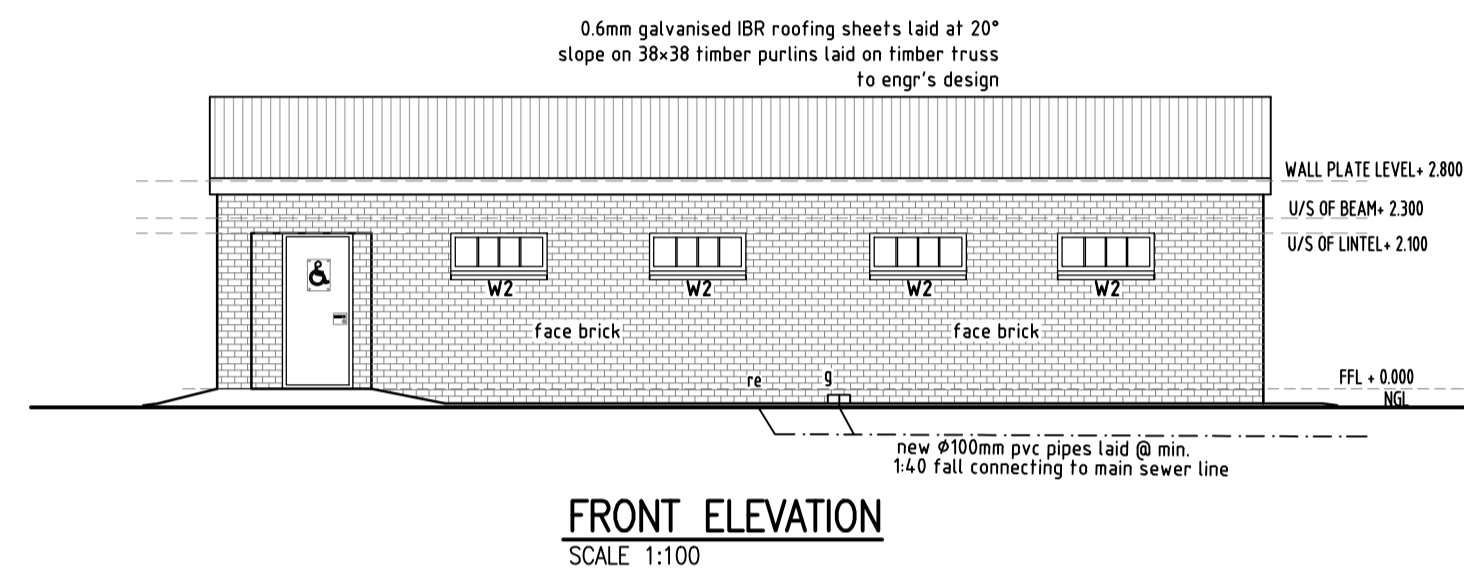


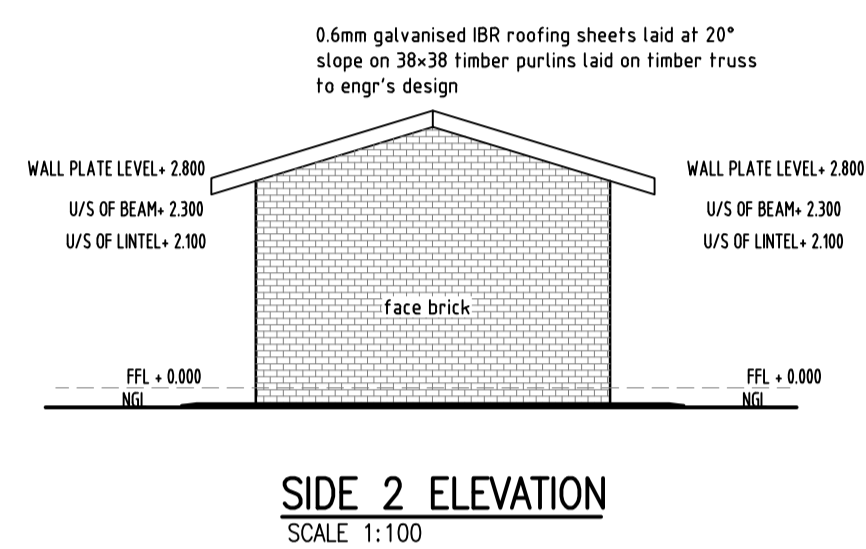
**FLOOR PLAN**  
SCALE 1:100



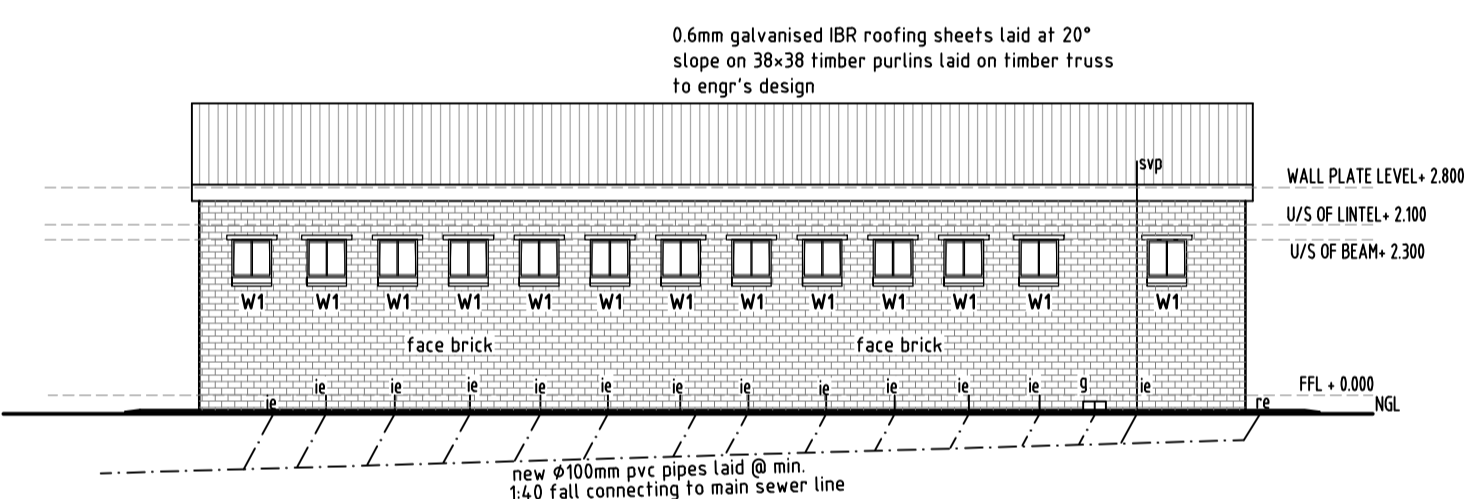
NAME	WC SUITE: White 90 vitreous china	NAME	'MINI' WC SUITE: White 45 vitreous china
LOCATION	DISABLED	LOCATION	GIRLS & BOYS TOILET ( GRADE R)
ITEM	WC	ITEM	WC
COLOUR	TO BE SPECIFIED	COLOUR	TO BE SPECIFIED
NO OF	1	NO OF	12
FITTING	WALL MOUNTED PORCELAIN CISTERN COMPLETE WITH FLUSHING UNIT	FITTING	WALL MOUNTED PORCELAIN CISTERN COMPLETE WITH FLUSHING UNIT



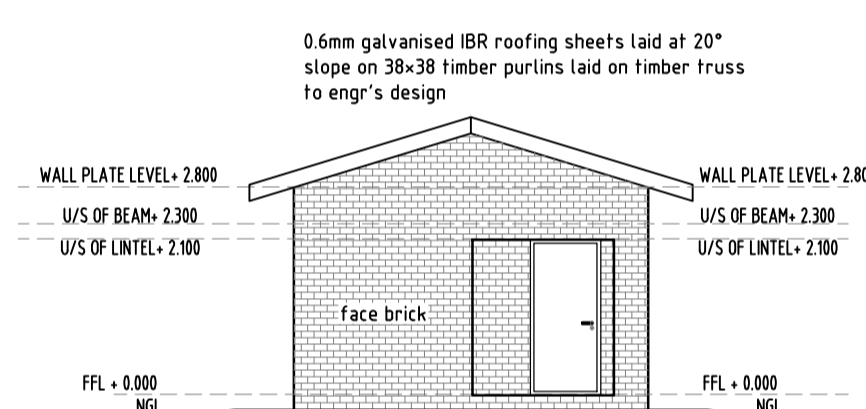
**FRONT ELEVATION**  
SCALE 1:100



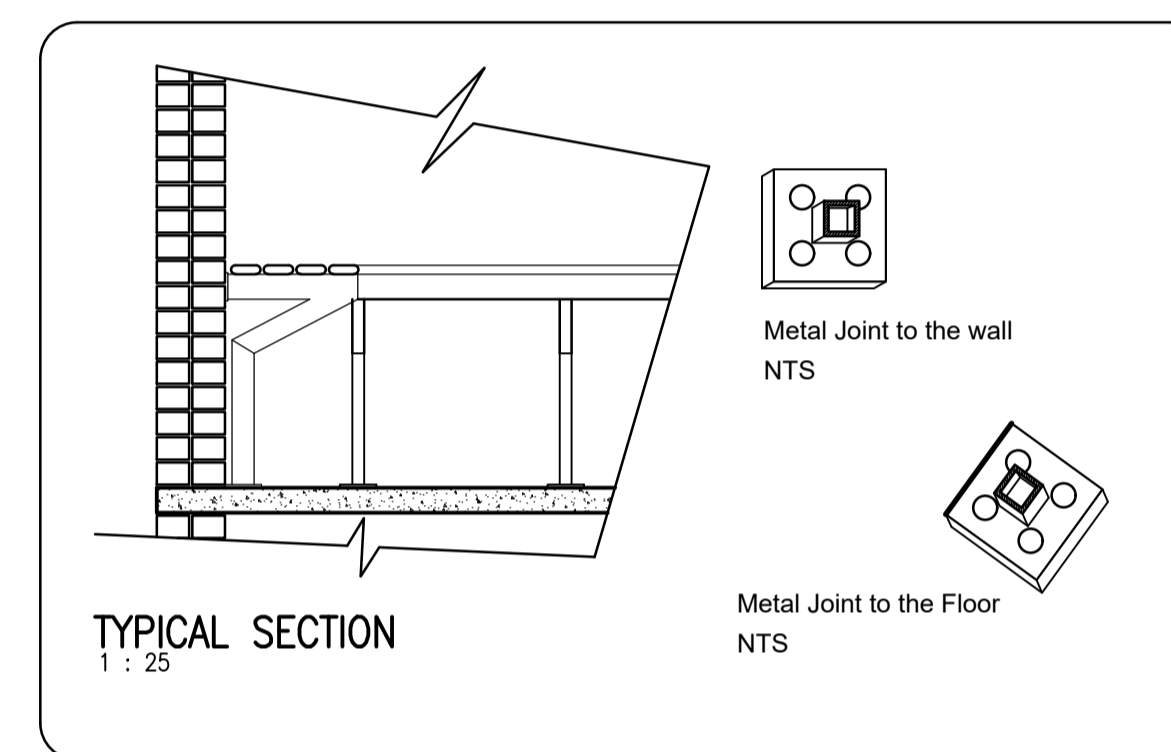
**SIDE 2 ELEVATION**  
SCALE 1:100



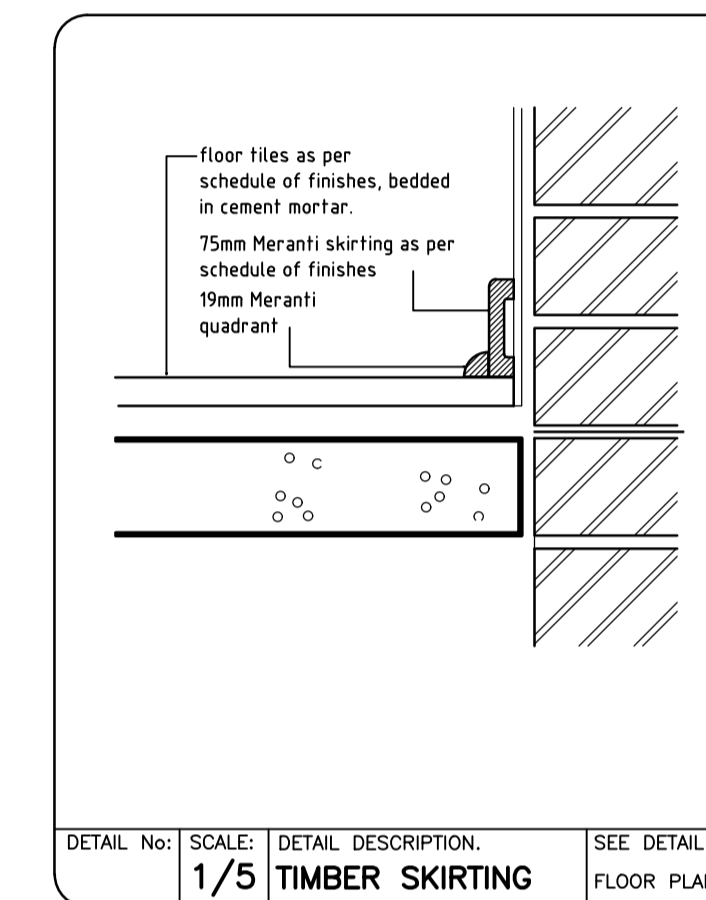
**BACK ELEVATION**  
SCALE 1:100



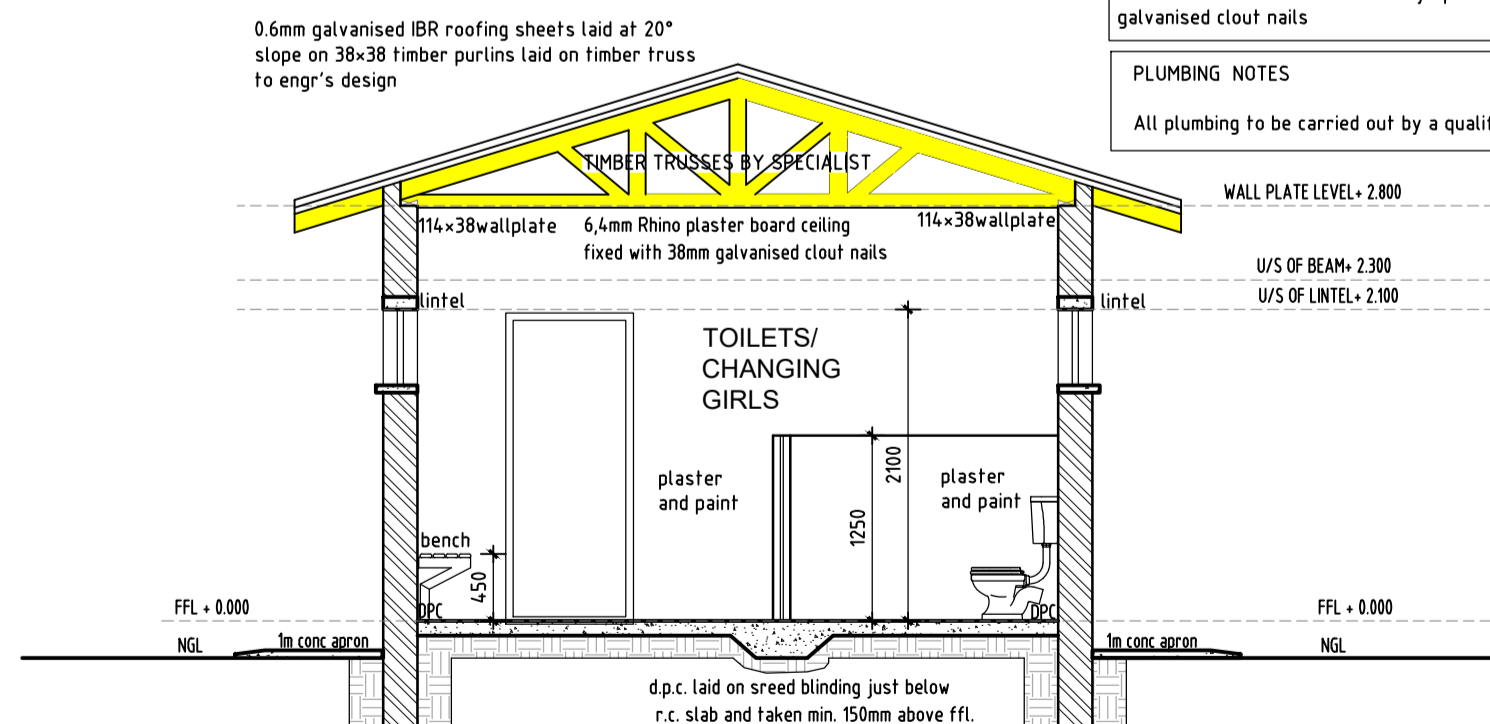
**SIDE 1 ELEVATION**  
SCALE 1:100



**BENCH DETAIL**



- ROOF NOTES**  
0.6mm galvanised IBR roofing sheets laid at 20° slope on 38x38 timber purlins laid on timber truss to engr's design
- CEILING NOTES**  
6.4 Rhino plasterboard ceiling fixed fixed to 50 x 50 timber battens fixed to timber trusses by specialist with 38 galvanised clout nails
- PLUMBING NOTES**  
All plumbing to be carried out by a qualified plumber



**SECTION C - C**

**WINDOW SCHEDULE**

WINDOW viewed externally	W1		W2	
	533	511	1302	511
No. OFF	13		4	
TOTAL:	13		4	
SIZE	533mm x 511mm		1302mm x 511mm	
CATALOGUE REF.	SS21		SS41	
FRAME	Cottage Section std. Steel Window Frame		Cottage Section std. Steel Window Frame	
GLAZING	3mm Thick Frosted Glass fixed into frame with stdputty		3mm Thick Frosted Glass fixed into frame with stdputty	
FITTINGS	Approved standard chrome plated fittings to suite opening sashes.		Approved standard chrome plated fittings to suite opening sashes.	
BURGLAR BARS	20mm wide x 4mm thick MS flat bar welded to frame		20mm wide x 4mm thick MS flat bar welded to frame	
FINISH	1 x coat Primer with approved 2 x coat enamel paint finish		1 x coat Primer with approved 2 x coat enamel paint finish	

**DOOR SCHEDULE**

DOOR viewed externally	D3		D1		D2	
	762	1095	900	2100	950	2100
No. OFF	12		1		1	
TOTAL:	12		1		1	
SIZE	762mm x 1095mm		900mm x 2100mm		950mm x 2100mm	
FRAME	32mm thick x 56mm deep PAR rebated side frames fixed to mb walls		Steel frame for 110mm internal wall		Steel frame for 110mm internal wall	
FRAME FINISH	1 x coat primer & 1 x coat approved enamel paint		1 x coat primer & 1 x coat approved enamel paint		1 x coat primer & 1 x coat approved enamel paint	
DOOR	762mm x 1095mm x 46mm hollow core door with hardboard both sides on return spring on swing hinges		900mm x 2100mm x 46mm solid flush panel door with hardboard both sides		950mm x 2100mm x 46mm solid flush panel door with hardboard both sides	
DOOR FINISH	1 x coat primer & 1 x coat approved PVA paint		1 x coat primer & 1 x coat approved PVA paint		1 x coat primer & 1 x coat approved PVA paint	
FURNITURE STORE ROOMS	N/A		Door set 3 with door sign		Door set 3 with door sign	
FURNITURE TOILETS	N/A		Door set 3 with door sign		Door set 3 with door sign	

**NOTES:**

B 2010-10-12 DID TITLE BLOCK:

REV No

SIZE ON ORIGINAL DRAWING 100 mm

DEPARTMENT OF INFRASTRUCTURE DEVELOPMENT

INSTITUTION  
**GAUTENG DEPARTMENT of EDUCATION**

SERVICE  
-

CONTRACT SECTION  
-

DISCIPLINE  
**ARCHITECTURAL**

WORK DESCRIPTION - SUB DIVISION  
**WORKING DRAWING**

DRAWING DESCRIPTION  
**GIRLS TOILETS FLOOR PLAN, SECTIONS, ELEVATIONS AND DETAILS**

FILE No. DESIGN SCALE ITEM No. DRAWN CHECKED

RESPONSIBLE PROFESSIONAL NAME SIGNATURE PR NUMBER

DRAWING CO-ORDINATED

CONSULTANT :

CONTRACTOR :

CADD SYSTEM AUTO CAD 026-0753-58\_266-REV-C FILE NAME

SIZE DRAWING NUMBER REV

**A1** A/507-003 0