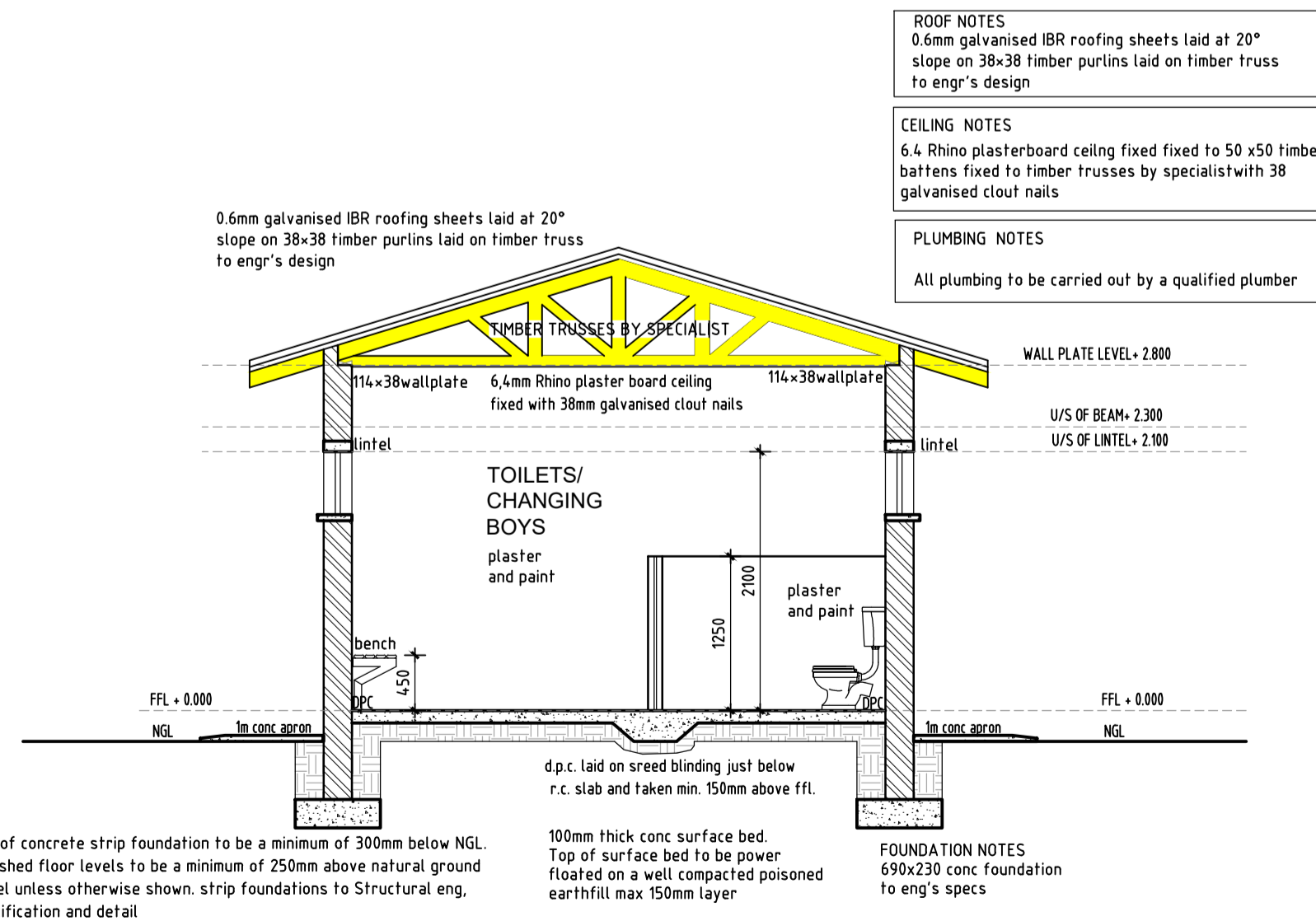


BACK ELEVATION
SCALE 1:100

SIDE 1 ELEVATION
SCALE 1:100



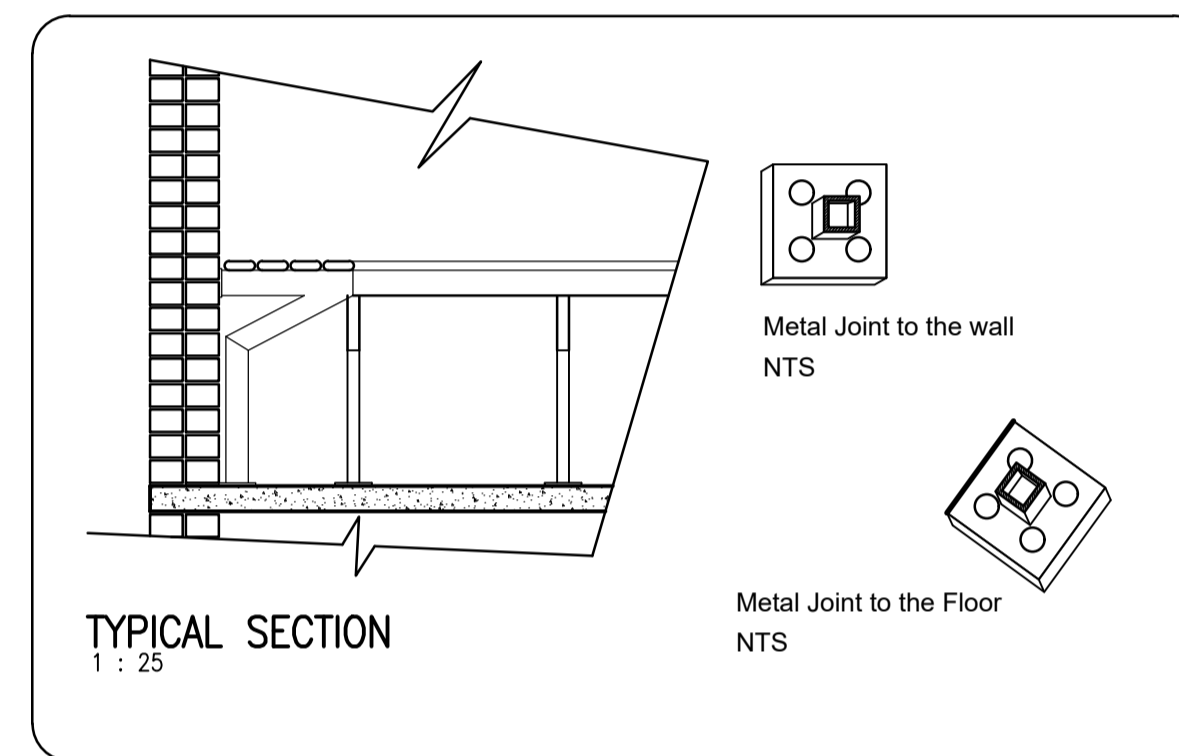
SECTION B - B

WINDOW SCHEDULE

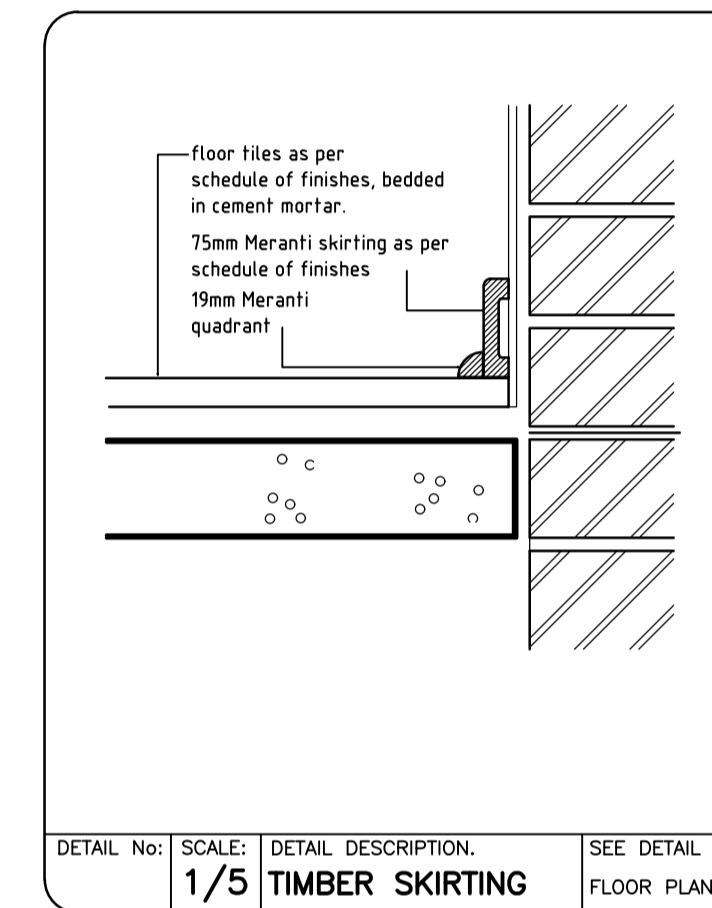
WINDOW viewed externally	W1	W2
No. OFF	9	3
TOTAL:	9	3
SIZE	533mm x 511mm	1302mm x 511mm
CATALOGUE REF.	S521	S524
FRAME	Corriage Section std. Steel Window Frame	Corriage Section std. Steel Window Frame
GLAZING	3mm Thick Frosted Glass fixed into frame with stripputty	3mm Thick Frosted Glass fixed into frame with stripputty
FITTINGS:	Approved standard chrome plated fittings to suite opening sashes.	Approved standard chrome plated fittings to suite opening sashes.
BURGLAR BARS	20mm wide x 4mm thick MS flat bar welded to frame	20mm wide x 4mm thick MS flat bar welded to frame
FINISH:	1 x coat Primer with approved 2 x coat enamel paint finish	1 x coat Primer with approved 2 x coat enamel paint finish

DOOR SCHEDULE

DOOR viewed externally	D3	D1	D2
No. OFF	5	1	1
TOTAL:	5	1	1
SIZE	762mm x 1095mm	900mm x 2100mm	950mm x 2100mm
FRAME	32mm thick x 56mm deep PAR rebated side frames fixed to nib walls	Steel frame for 110mm internal wall	Steel frame for 110mm internal wall
FRAME FINISH	1 x coat primer & 1 x coat approved enamel paint	1 x coat primer & 1 x coat approved enamel paint	1 x coat primer & 1 x coat approved enamel paint
DOOR	762mm x 1095mm x 40mm hollow core door with hardboard both sides on return springs on swing hinges.	900mm x 2100mm x 40mm solid flush panel door with hardboard both sides	950mm x 2100mm x 40mm solid flush panel door with hardboard both sides
DOOR FINISH	1 x coat primer & 1 x coat approved PVA paint	1 x coat primer & 1 x coat approved PVA paint	1 x coat primer & 1 x coat approved PVA paint
FURNITURE STORE ROOMS	N/A	Door set 3 with door sign	Door set 3 with door sign
TOILETS			



BENCH DETAIL



NAME	WC SUITE: White 90 vitreous china	NAME	'MINI' WC SUITE: White 45 vitreous china
LOCATION	DISABLED	LOCATION	GIRLS & BOYS TOILET (GRADE R)
ITEM	WC	ITEM	WC
COLOUR	TO BE SPECIFIED	COLOUR	TO BE SPECIFIED
NO OF	1	NO OF	5
FITTING	WALL MOUNTED PORCELAIN CISTERN COMPLETE WITH FLUSHING UNIT	FITTING	WALL MOUNTED PORCELAIN CISTERN COMPLETE WITH FLUSHING UNIT

NOTES:

REV No	DATE	DESCRIPTION
C	2011-04-12	REVISED DT56 & DT35
B	2010-10-12	DID TITLE BLOCK: DT56 REVISED CATCHPIT
A	2010-08-10	REDESIGN

REVISIONS
SIZE: A4 (CALCULATED) DRAWING: 100 mm

DEPARTMENT OF INFRASTRUCTURE DEVELOPMENT

INSTITUTION
GAUTENG DEPARTMENT of EDUCATION

SERVICE
GENERIC ABLUTIONS

CONTRACT - SECTION
-

DISCIPLINE
ARCHITECTURAL

WORK DESCRIPTION - SUB-DIVISION
WORKING DRAWING

DRAWING DESCRIPTION
BOYS TOILETS FLOOR PLAN, SECTIONS, ELEVATIONS AND DETAILS

FILE No.	DESIGN	SCALE	ITEM No.	DRAWN	CHECKED

DATE	RESPONSIBLE PROFESSIONAL NAME	SIGNATURE	PR NUMBER

DRAWING CO-ORDINATED

CONSULTANT:
DNMZ CONSORTIUM

CONTRACTOR:

CAAD SYSTEM	AUTO CAD	026-DT53-58_266-REV-C	FILE NAME

SIZE	DRAWING NUMBER	REV
A1	A/507-002	FLOOR PLAN 0